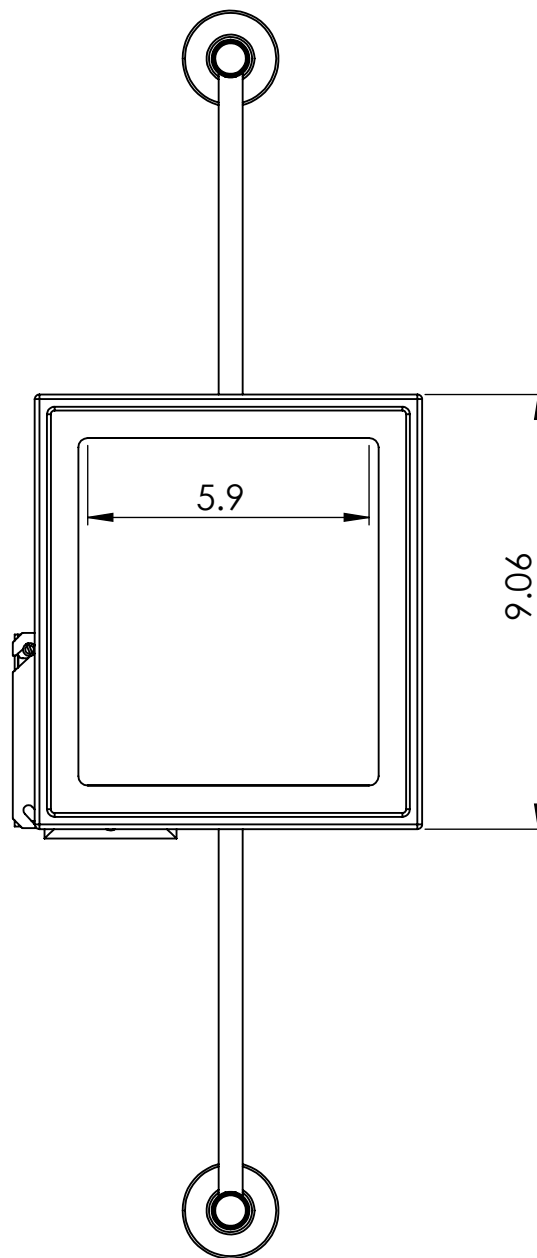
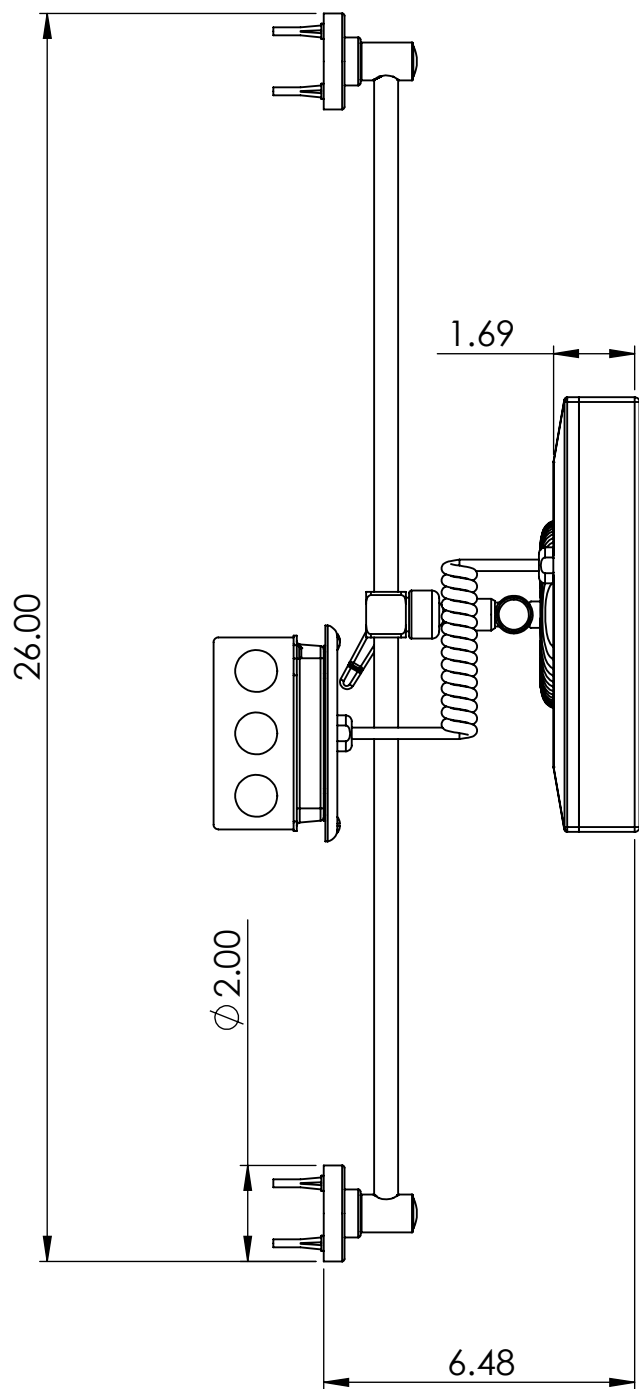
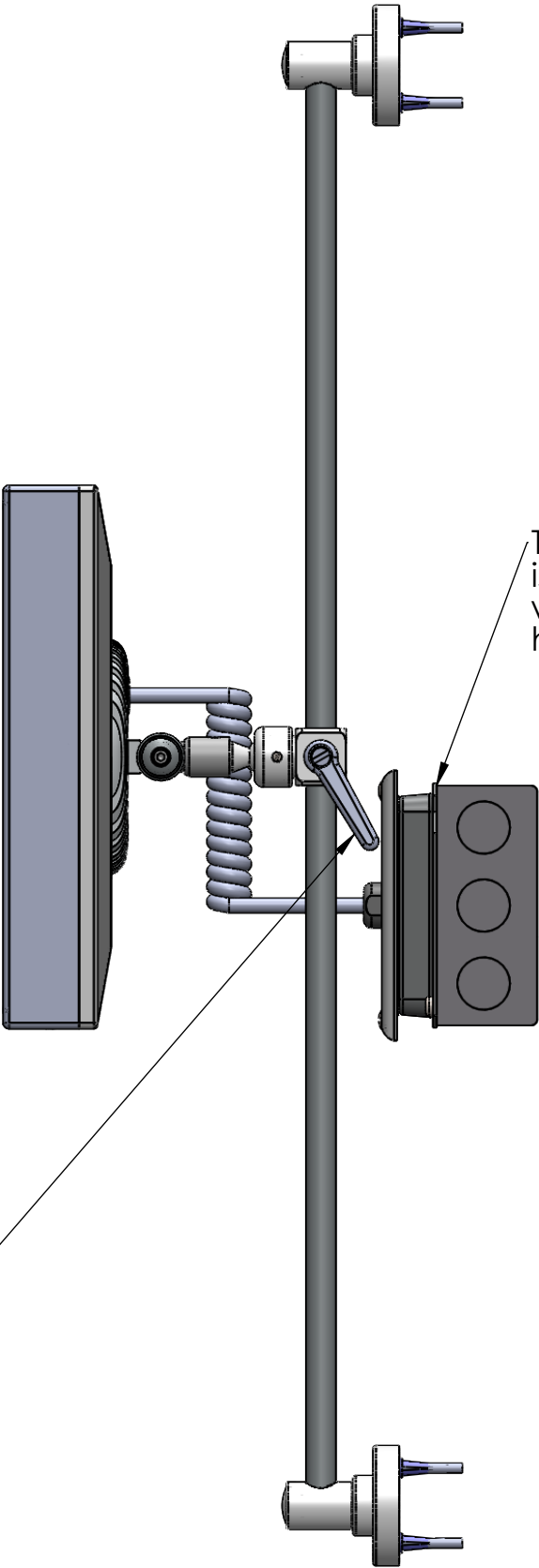


BSR-207



© 2012



The position of the outlet box is not critical - but this position will be most effective in hiding the cord

Lever handle for easy adjustment