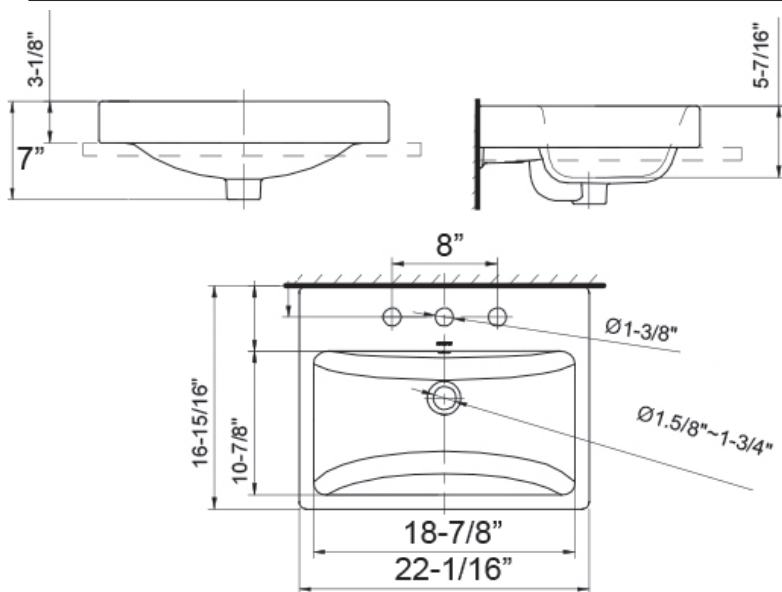


Dune II

COUNTER TOP BASIN (WIDE SPREAD) L588-7201-U1



*Drain not included

*Drain hole fits standard US drain fixtures
(diameter: 1.63" - 1.75")

FEATURES

Dimensions	L 22-1/16" x W 16-15/16" x H 7-1/2"
Gross/Net Weight	32 lbs / 30.5 lbs
Material Finish	Vitreous China (VC)
Color	White

CODES/STANDARDS

ASME A112.19.2-2013/CSA B45.1-13

ADA compliant when installed to ADA specification requirements.

DETAILS

A dynamic combination of subtle curves and sharp geometric lines give the Dune II Counter Top Basin a unique, beautifully designed profile. This basin scores with clean angular shapes, one overflow hole, one tap hole and Easy Clean glaze for easy long-term maintenance.