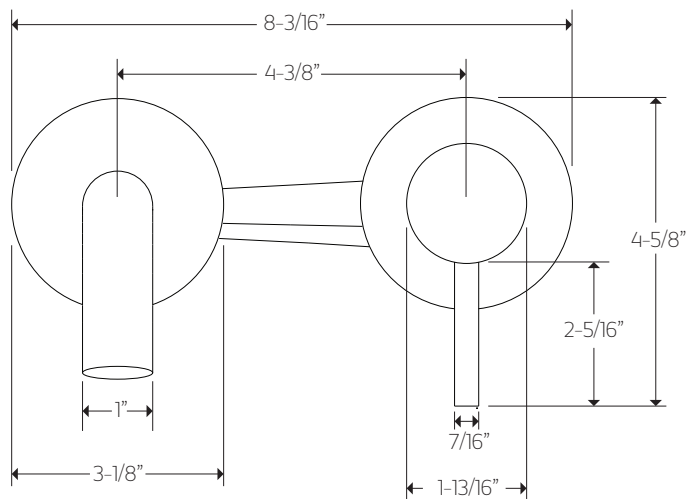
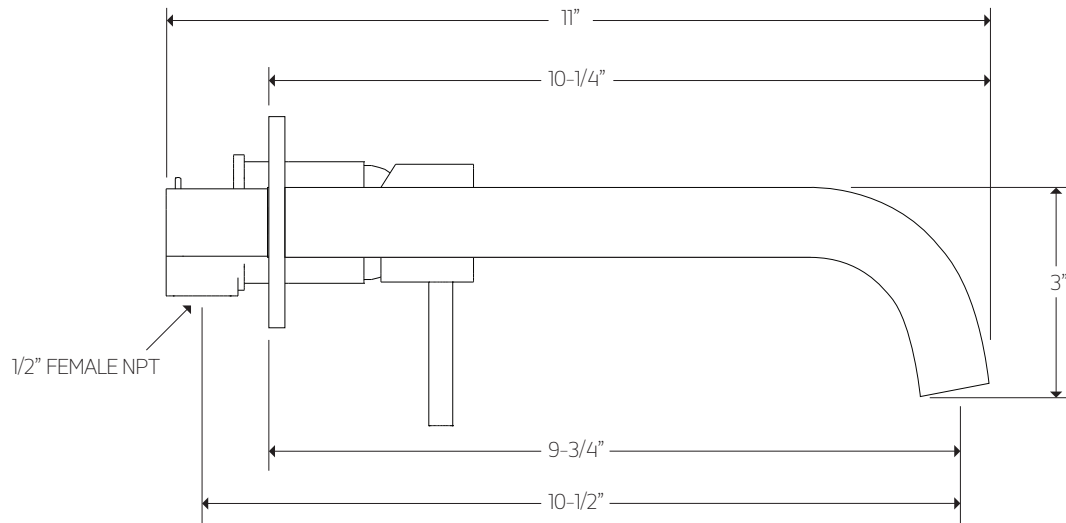


F501-9-1

TECHNICAL DATA SHEET

opera in wall lav faucet single
handle, extended spout



artos[®]

F501-9-1

OPERATING SPECIFICATIONS

opera in wall lav faucet single
handle, extended spout



FEATURES

Integrated Control

OPERATING PRESSURE

Minimum: 15 psi

Maximum: 75 psi

Above 90psi it may be necessary to install a pressure reducer

OPERATING TEMPERATURE

Maximum: 176°

FLOW RATE

1.2 USGPM

APPROVALS

