



California Faucets®

Rincon Bay™

DECK TRIM DIVERTER

TO-45X.62.20

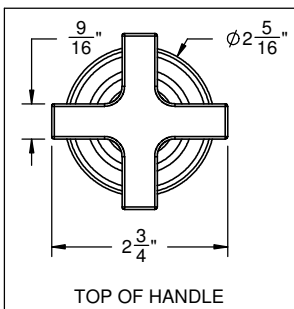
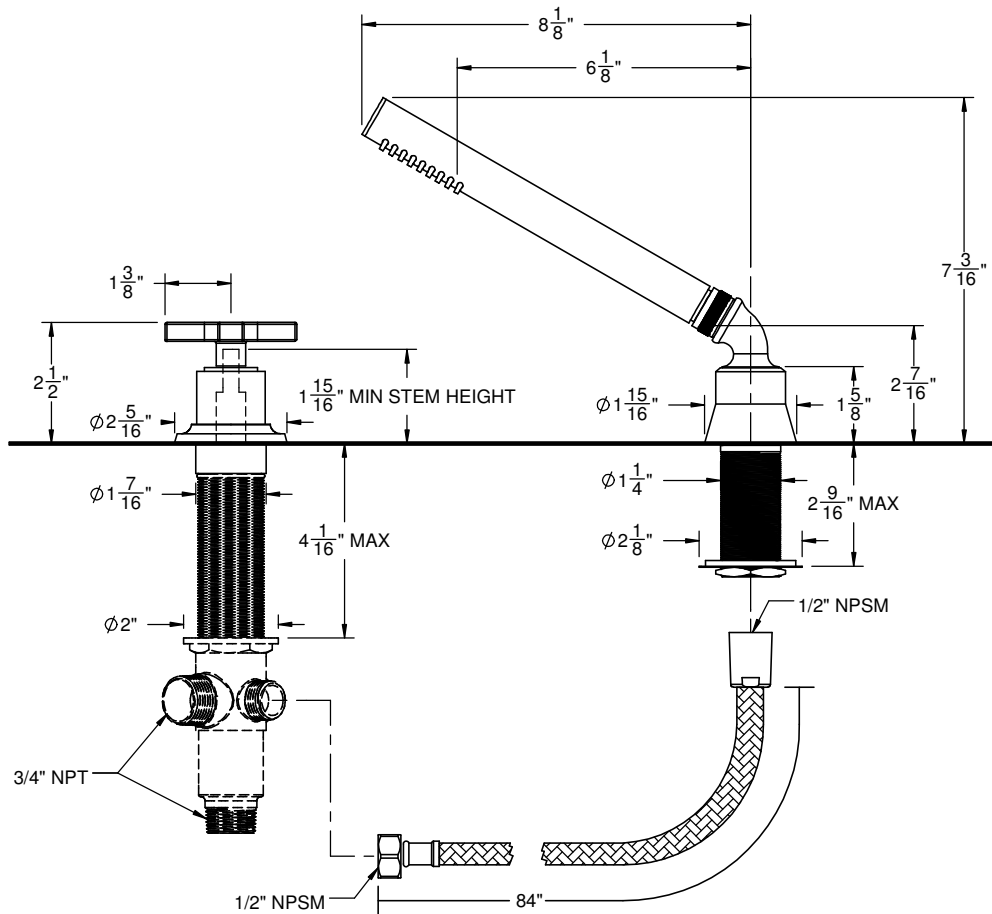
Features

- Handshower: 1/2" MIP inlet with self-clean rubber jets
- Handshower: 2.0 gpm (7.6 L/m) max flow rate
- Handshower elbow: 1/2" FIP swivel nut with 1/2" MIP inlet
- Hose: 84" black poly braided hose. Provides durable, quiet & no damage to trim finish during operation
- Anti-siphon diverter valve (DDV-R) sold separately
- Solid brass construction
- Over 30 finishes 15 PVD finishes

Codes/Standards

Product meets or exceeds the following:

- ASME A112.18.1/CSA B125.1
- CEC & DOE
- Commonwealth of MA



THROUGH-HOLE SPECIFICATIONS		
MIN	RECOMMENDED	MAX
SHOWER: Ø1-1/4"	Ø1-1/4"	Ø1-11/16"
VALVE: Ø1-7/16"	Ø1-1/2"	Ø1-3/4"

SPECIFICATIONS SUBJECT TO CHANGE WITHOUT NOTICE

ALL DIMENSIONS SHOWN TO NEAREST 1/16"