



California Faucets®

Descanso™

SINGLE HOLE LAVATORY FAUCET

Features

- 4-5/8" spout center to center
- Single handle operation cartridge with ceramic disc
- Flexible braided hoses for ease of installation
- ϕ 1-1/4" all brass touch style pop up drain assembly
- 1.2 gpm (4.5 L/min) max flow rate
- Solid brass construction
- Over 30 finishes including 15 PVD finishes

Codes/Standards

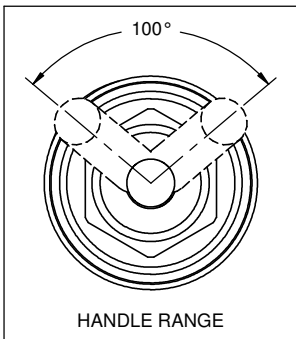
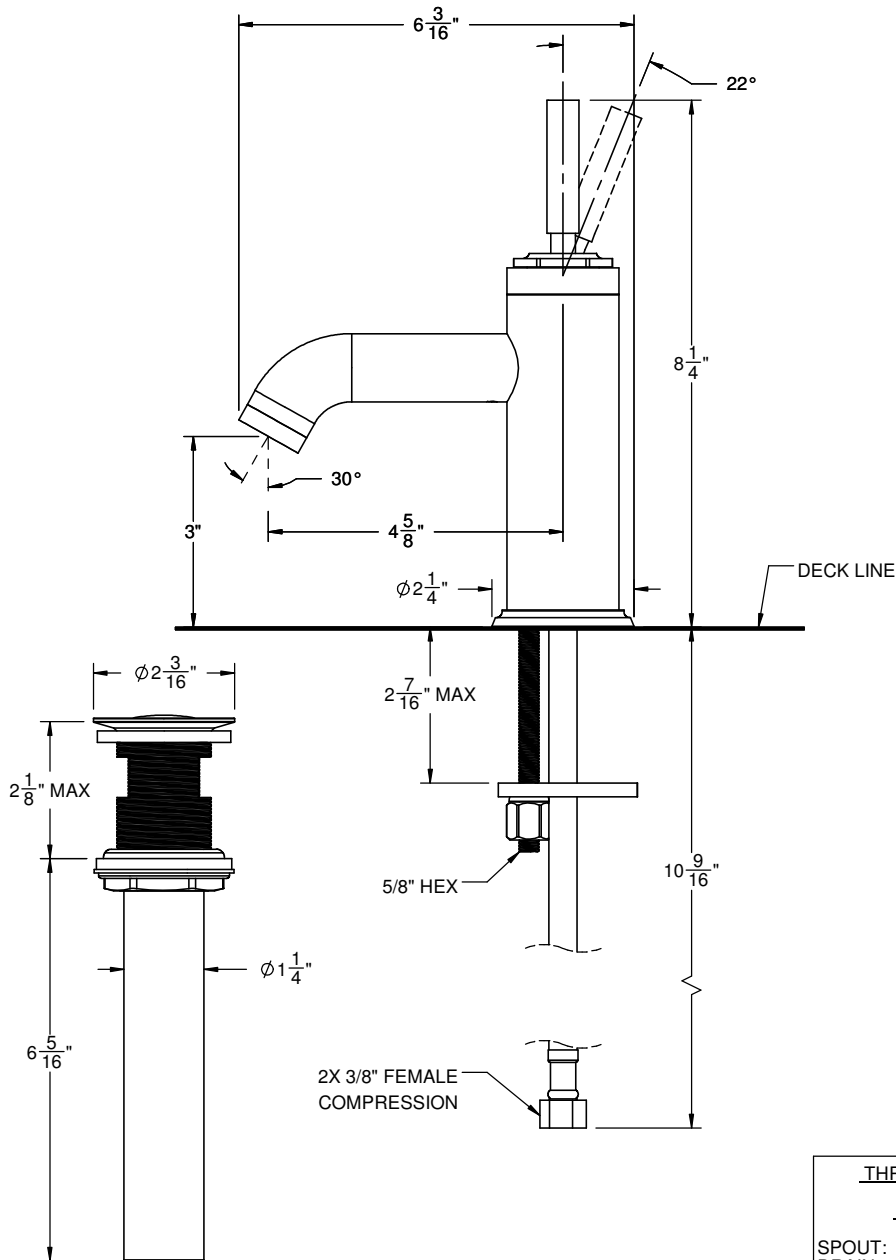
Product meets or exceeds the following:

- ASME A112.18.1/CSA B125.1
- NSF/ANSI 61 & NSF/ANSI 372
- CEC & DOE
- Commonwealth of MA
- EPA WaterSense High Efficiency Lavatory
- ADA compliant

CF-3001-1
CF-3001K-1
CF-3001F-1



(CF-3001-1K SHOWN)



THROUGH-HOLE SPECIFICATIONS		
MIN	RECOMENDED	MAX
SPOUT: ϕ 1-1/4"	ϕ 1-3/8"	ϕ 1-1/2"
DRAIN: ϕ 1-1/2"	ϕ 1-3/4"	ϕ 1-7/8"

SPECIFICATIONS SUBJECT TO CHANGE WITHOUT NOTICE

ALL DIMENSIONS SHOWN TO NEAREST 1/16"